

## HIGH TEMPERATURE MICRO SWITCHES ZT1H SERIES

### Specifications

Operating Speed	0.01mm-1m/sec
Operating Frequency	Mechanical: 60 ops/min Electrical: 20 ops/min
Insulation Resistance	>100MΩ@500V DC
Contact Resistance	<100mΩ (initial)
Dielectric Strength	1000VAC for 1 min between current carrying parts 1500VAC for 1 min between non-current carrying parts
Service Life	Mechanically 1.0 x 10 <sup>6</sup> (operations) Electrically 5 x 10 <sup>4</sup> (operations)
Operating Temperature	-65~+400°C (-85~752°F) no icing
Humidity	35% to 85%RH
Degree of Protection	IP00

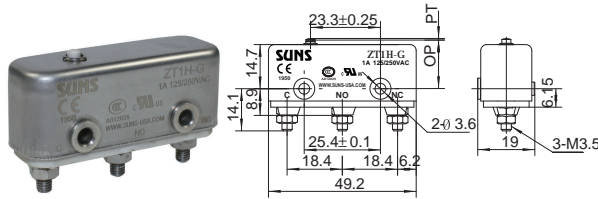
### Definitions of Operating Characteristics

OF	Operating Force	PT	Pretravel
RF	Releasing Force	MD	Movement Differential
OT	Overtravel	OP	Operating Position
TT	Total Travel	PO	Travel to Positive Opening

### Rated Indicators

Operating voltage	Non-inductive load (A)				Inductive load (A)			
	Resistive load		Bulb load		Inductive load		Motor load	
	NC	NO	NC	NO	NC	NO	NO	
125 VAC	1		0.9	0.45	1		1.5	0.75
250 VAC	1		0.45	0.3	1		0.45	0.3
8 VDC	1		0.9	0.45	1		1.5	1.5
14 VDC	1		0.9	0.45	1		1.5	1.5
30 VDC	1		0.9	0.45	1		1.5	1.5
125 VDC	0.4		0.45	0.05	0.4		0.05	0.05

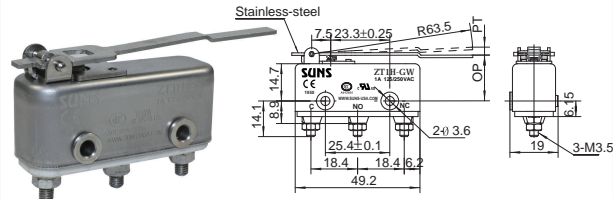
### Dimensions Unit: mm



#### ZT1H-10G

#### Operating Characteristics

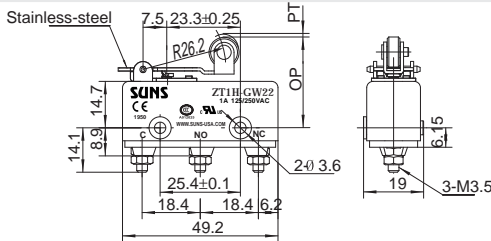
- OF 4.9N
- RF (Min) 1.12N
- PT (Max) 0.4mm
- OT (Min) 0.13mm
- MD 0.15mm
- OP 15.9°\*0.6mm



#### ZT1H-10GW

#### Operating Characteristics

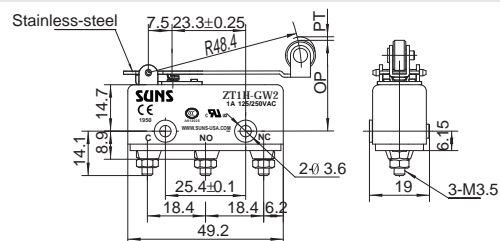
- OF 0.98N
- RF (Min) 0.14N
- PT (Max) 3.5mm
- OT (Min) 4.6mm
- MD 1.30mm
- OP 18°\*1.2mm



#### ZT1H-10GW22

#### Operating Characteristics

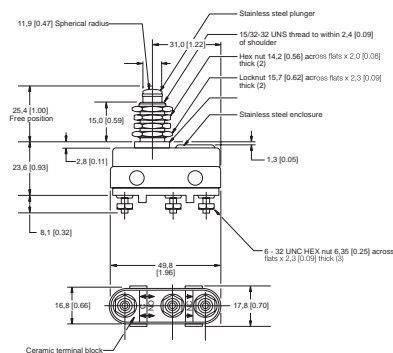
- OF (Max) 2.35N
- RF (Min) 0.34N
- PT (Max) 1.5mm
- OT (Min) 1.9mm
- MD (Max) 0.6mm
- OP 28.6°\*1.2mm



#### ZT1H-10GW2

#### Operating Characteristics

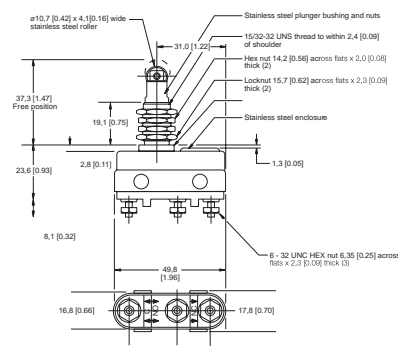
- OF (Max) 1.27N
- RF (Min) 0.2N
- PT (Max) 2.6mm
- OT (Min) 3.5mm
- MD (Max) 1mm
- OP 28.6°\*1.2



#### ZT1H-10GQ

#### Operating Characteristics

- OF (Max) 5.56N
- RF (Min) 1.67N
- PT (Max) 1.65mm
- OT (Min) 4.78mm
- MD (Max) 0.25mm
- OP 23.7°\*0.6mm



#### ZT1H-10GQ22

#### Operating Characteristics

- OF (Max) 8.34N
- RF (Min) 1.67N
- PT (Max) 1.42mm
- OT (Min) 4.78mm
- MD (Max) 0.25mm
- OP 35.9°\*0.6mm